

---

*Comfort-Aire*®

 **Century**®

**MARS**®  
Delivering Confidence

---

REPLACEMENT PARTS LIST

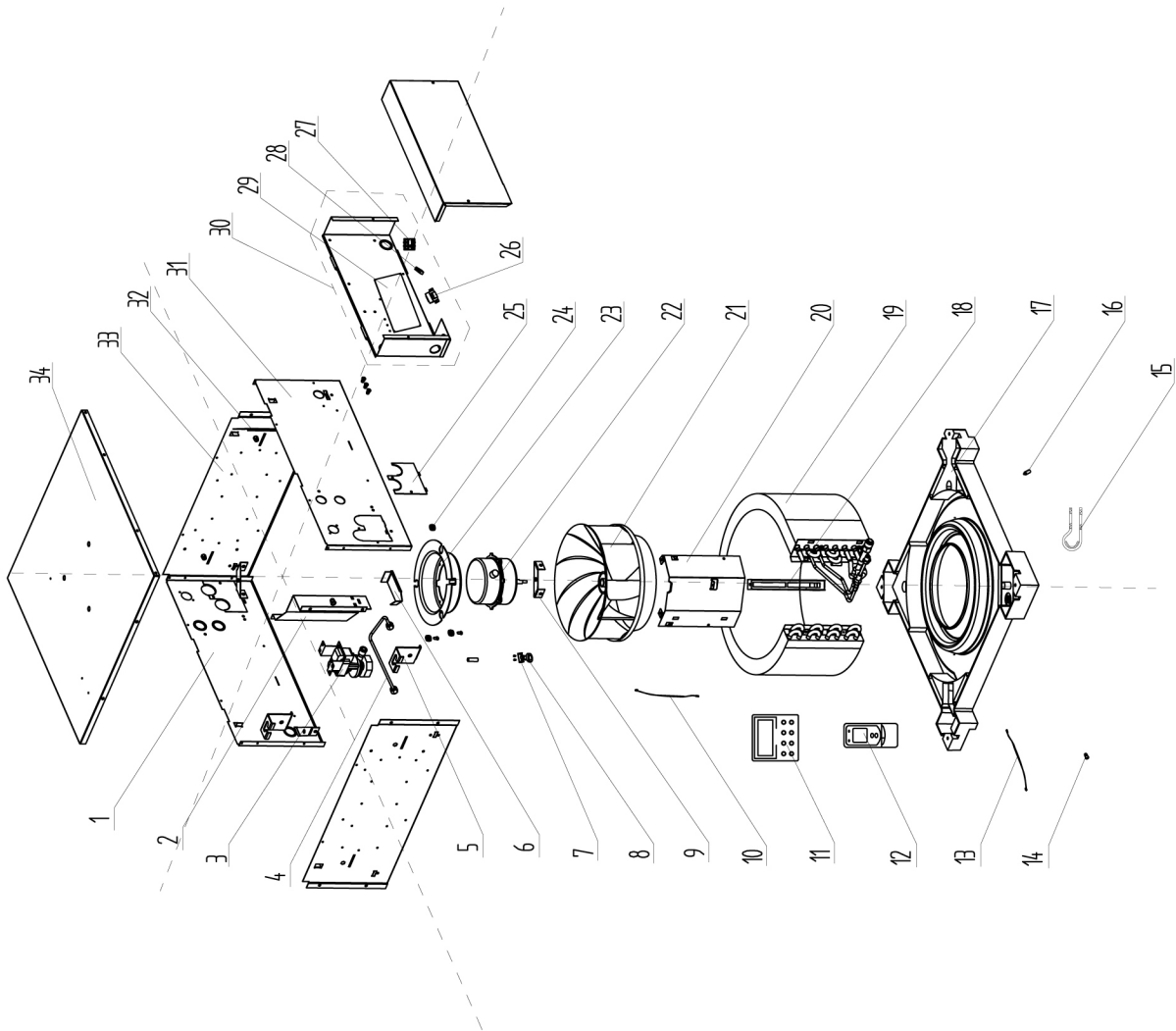
**InverterFlex Series®**  
**Indoor Ceiling Cassette**

B-VFH18CA-1

**Heat Pumps**

# EXPLODED VIEW

34	Seat Board Sub-Assy
33	Right Side Plate Sub-Assy
32	Pass WirePlate
31	Front Side Plate
30	Electric Box Assy
29	Main Board
28	Capacitor
27	Terminal Board
26	Transformer
25	Tube Exit Plate Assy
24	Motor Gasket
23	Motor Support
22	Fan Motor
21	Centrifugal Fan
20	Evaporator Connection Board
19	Evaporator Assy
18	Evaporator Support
17	Water Tray Assy
16	Filter Sub-Assy
15	Clamp (power cord)
14	Filter Sub-Assy
13	Ambient Temperature Sensor
12	Remote Controller
11	Display Board (Wired Remote)
10	Temperature Sensor
9	Water Tray Support
8	Water Level Switch
7	Pump Support Assy
6	Water Level Switch Support
5	Body Installing Support
4	Pump Drainpipe
3	Water Pump
2	Right Baffle Assy
1	Front Side Plate



## REPLACEMENT PARTS

Location	Part Name	Quantity	Part No.
1	Front Side Plate	1	01314211
2	Right Baffle Assy	1	01362704
3	Water Pump	1	43130320
4	Pump Drainpipe	1	05232722
5	Body Installing Support	4	01332705
6	Liquid Level Switch Support	1	24212705
7	Pump Support Assy	1	01332708
8	Water Level Switch	1	450127011
9	Water Tray Support	4	01332706
10	Temperature Sensor	1	390001982G
11	Wired Controller	1	30296317L08294
12	Remote Controller	1	305100501_L08294
13	Ambient Temperature Sensor	1	3900019813
15	Clamp (power cord)	1	71010105
17	Water Tray Assy	1	20182704
18	Evaporator Support	1	01072714
19	Evaporator Assy	1	0102430701
20	Evaporator Connection Board	1	01072713
21	Centrifugal Fan	1	10312702
22	Fan Motor	1	1570411401
23	Motor Support	1	01702702
24	Motor Gasket	3	76712705
25	Tube Exit Plate Assy	1	01382719
26	Transformer	1	43110257
27	Terminal Board	1	420111041
28	Capacitor CBB61	1	33010089
29	Main Board	1	30226354
30	Electric Box Assy	1	01399536
31	Front Side Plate	1	01302741
32	Pass WirePlate	1	01362701
33	Right Side Plate Sub-Assy	2	01302743
34	Seat Board Sub-Assy	1	01222712
	Signal Wire for Wired Controller	1	40010232
Not Shown	Carton	1	51029940851

---

Due to ongoing product improvements, specifications and dimensions are subject to change and correction without notice or incurring obligations. Determining the application and suitability for use of any product is the responsibility of the installer. Additionally, the installer is responsible for verifying dimensional data on the actual product prior to beginning any installation preparations.

Incentive and rebate programs have precise requirements as to product performance and certification. All products meet applicable regulations in effect on date of manufacture; however, certifications are not necessarily granted for the life of a product. Therefore, it is the responsibility of the applicant to determine whether a specific model qualifies for these incentive/rebate programs.

*Comfort-Cire*®  **Century**®

1900 Wellworth Ave., Jackson, MI 49203 • Ph. 517-787-2100 • [www.marsdelivers.com](http://www.marsdelivers.com)

